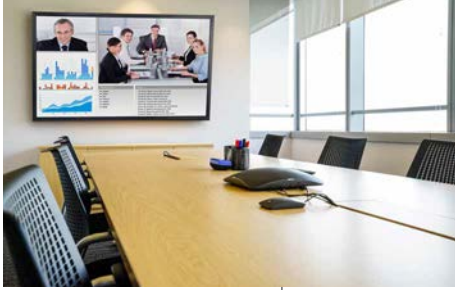


# ST680(P)



**Mounting Pattern**  
1061 x 650mm  
(41.76" x 25.59")



**Max Load**  
350lb  
(158kg)

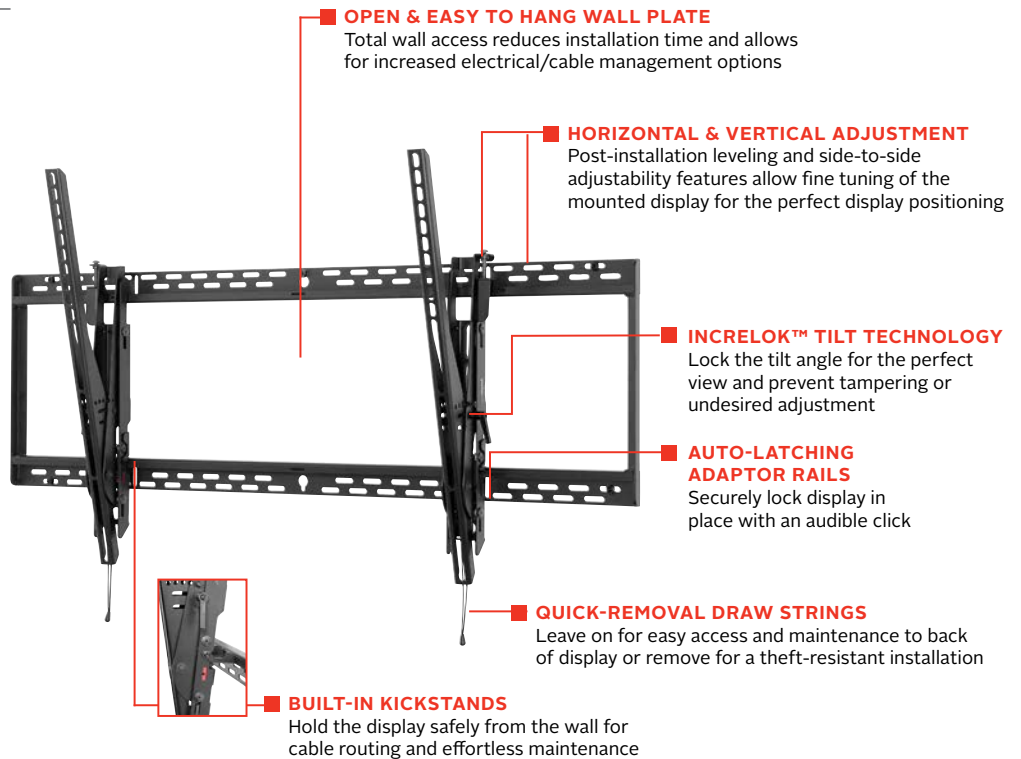
## SMARTMOUNT®

# Universal Tilt Wall Mount

FOR 60" TO 98" DISPLAYS\*

Peerless-AV's SmartMount® Universal Tilt Wall Mount delivers an ultra-slim profile designed to hold large displays up to 350lb. Installation and maintenance are made easy with the ST680's robust feature set. Auto-latching adaptor rails automatically secure the display without the use of a tool. The mount's built-in kickstand holds the display safely from the wall during cable routing, while the open wall plate allows for increased electrical and cable management options. Horizontal and vertical display adjustment allow for quick fine-tuning of the mounted display.

- Universal mount fits displays with mounting patterns up to 1061 x 650mm (41.76" W x 25.59" H)
- Adjustable up to 15° of forward tilt and -5° of backward tilt for the optimal viewing angle
- Optional IncreLok™ feature offers fixed tilt angles of -5°, 0°, 5°, 10°, 15°
- Easy-Grip™ ratcheting handle locks the display into place
- Easy hang wall plate allows a bolt to be pre-installed to ease wall plate installation
- Lateral display adjustment up to 19.25" (489mm)
- 1" of post-installation vertical adjustment provides flexibility in the installation
- Includes fastener pack with all necessary mounting and display attachment hardware (including M10)
- For mounts requiring theft resistant hardware, installed with security tool (included), please purchase ST680
- For mounts requiring standard hardware, installed with a Philips screwdriver, please purchase ST680P



+15°/-5° of tilt for versatile viewing angles.



Comes in color packaging with included installation hardware and easy to follow instructions.



\*This display size range is simply a guideline for product selection. Displays larger than the screen size range may still be compatible as long as they fall within the VESA® pattern and max weight of the Peerless-AV® product.

ST680P	SmartMount® Universal Tilt Wall Mount for 60" to 98" Displays - Standard Models
ST680	SmartMount® Universal Tilt Wall Mount for 60" to 98" Displays - Security Models

Product Specifications

	DIMENSIONS (W x H x D)	PRODUCT WEIGHT	LOAD CAPACITY	FINISH	AVAILABLE COLORS
ST680(P)	45.75" x 26.50" x 3.38"-10.58" (1162 x 673 x 86-269mm)	19.13lb (8.7kg)	350lb (158kg)	Scratch Resistant Fused Epoxy	Semi-Gloss Black

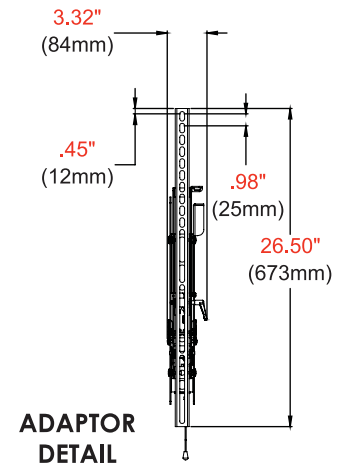
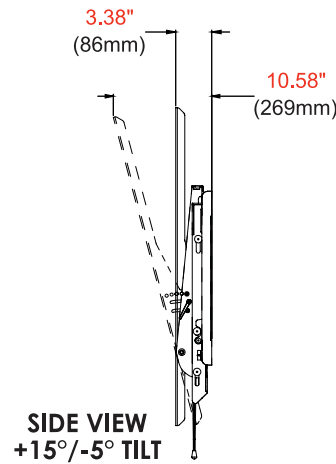
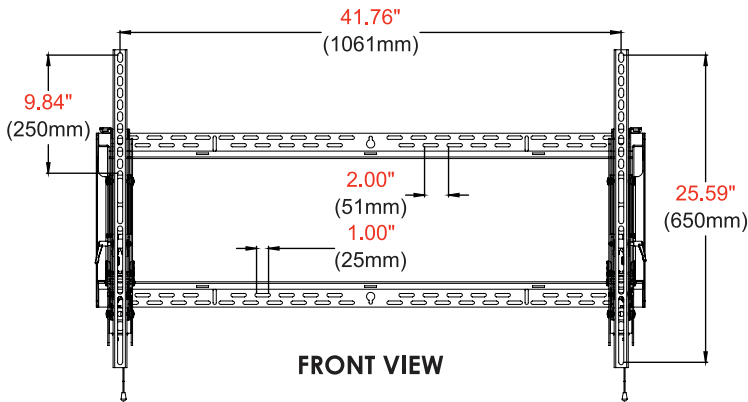
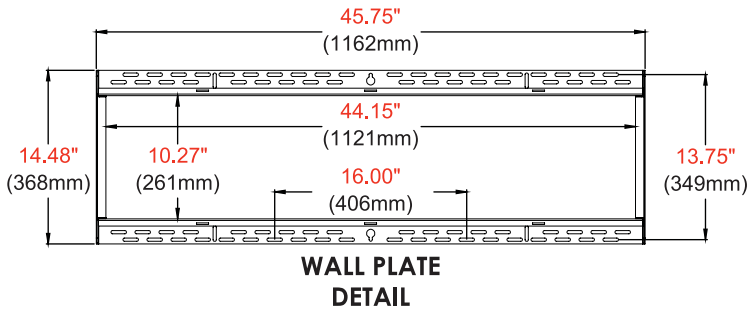
Package Specifications

	PACKAGE SIZE (W x H x D)	PACKAGE SHIP WEIGHT	PACKAGE UPC CODE	PACKAGE CONTENTS	UNITS IN PACKAGE
ST680(P)	46.70" x 4.70" x 15.40" (1185 x 120 x 390mm)	22.13lb (10.04kg)	ST680: 735029242314 ST680P: 735029242338	Wall Mount, Wall and Display Installation Hardware, Installation Instructions	1

Accessories

- ACC615:** 6-pack Metal Stud Fastener Kit
- ACC309:** Video Conference Shelf
- ACC-UCM:** Universal AV Component Mount
- ESHV models:** AV Wall Shelves
- IBA4-W:** Easy Mount Recessed Low Voltage Cable Plate

All dimensions = inch (mm)



Architect Specifications

The SmartMount® Universal Tilt Wall Mount shall be a Peerless-AV model ST680(P) and shall be located where indicated on the plans. Assembly and installation shall be done according to instructions provided by the manufacturer.



Contact a Connection Account Manager for more information.  
1.800.800.0014 ■ [www.connection.com/ConferenceRoomTech](http://www.connection.com/ConferenceRoomTech)

